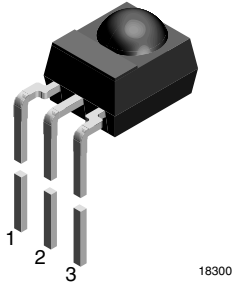


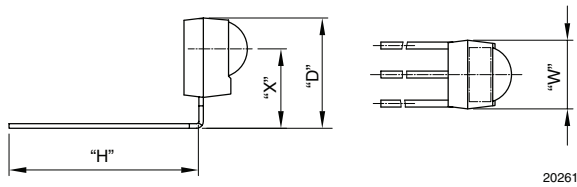
IR Receiver Modules for Remote Control Systems


FEATURES

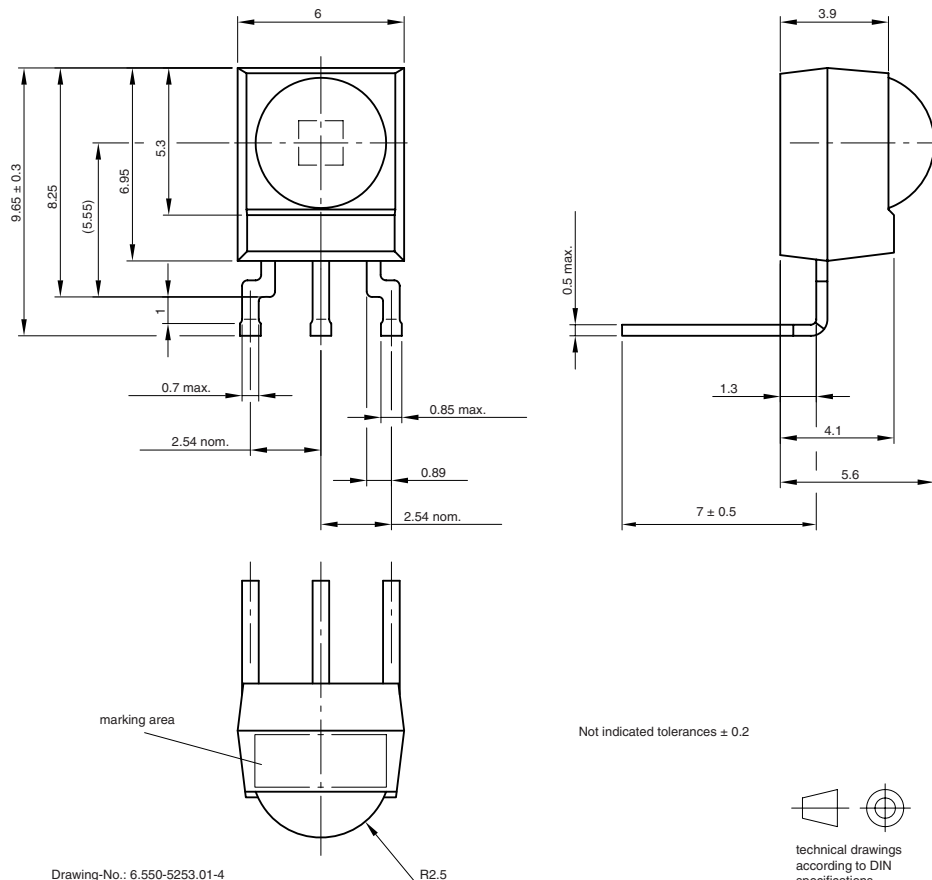
- Compliant to RoHS directive 2002/95/EC and in accordance to WEEE 2002/96/EC


AVAILABLE FOR:

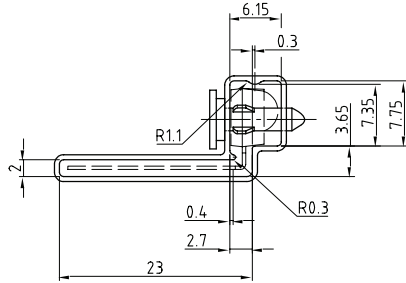
- TSOP34...
- TSOP4....
- TSOP32...
- TSOP2....


RoHS
COMPLIANT


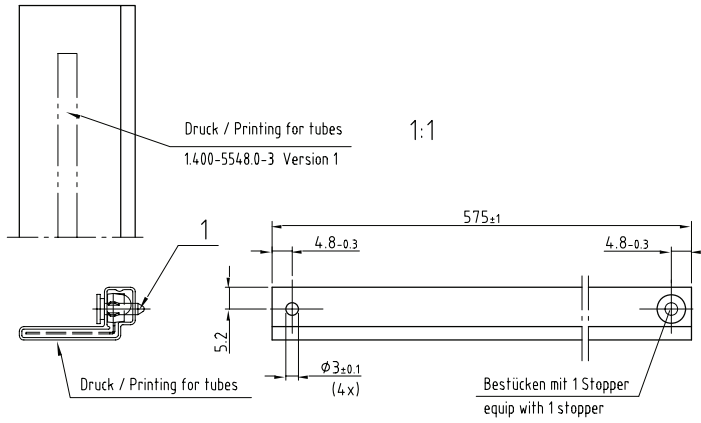
NAME	LENS AXIS (X)	VIEW	TYPE	HEIGHT (H)	WIDTH (W)	DEPTH (D)
SW1	6.95		Bend	7	6	9.65

MECHANICAL DIMENSIONS in millimeters


PACKAGING DIMENSIONS in millimeters

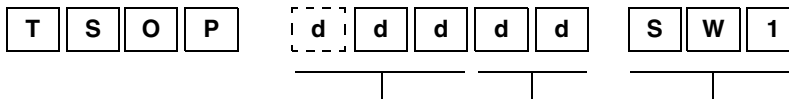


Wanddicke/wall thickness: 0.6 ± 0.02
 Geradheit/Straightness 2
 Schnittwinkel/cut $90^\circ \pm 1'$
 Innenradien/inner radii max 0.5
 Geprüft nach/approved to: LV 5145



Drawing-No.: 9.700-5206.0-4
 Rev. 13; Date: 09.06.06
 20251

ORDERING INFORMATION



2 or 3 digit product series 2 digit frequency Holder type

Note

d = "digit", please consult the list of available series on the previous page to create a valid part number.

Example: TSOP14838SW1

PACKING QUANTITY

- 90 pieces per tube
- 30 tubes per carton